

Model A Series

# A5 Fully-Automatic Household Coffee Machine User Manual



## Content

<b>1 Welcome to use</b> .....	<b>01</b>
<b>2 Machine overview</b> .....	<b>01</b>
<b>3 Accessories</b> .....	<b>02</b>
<b>4 Safety</b> .....	<b>02</b>
Intended use.....	02
For your safety.....	03
Explanation of safety symbols.....	03
<b>5 Preparing and using for the first time</b> .....	<b>05</b>
Unpacking.....	05
Language.....	06
Set water hardness.....	06
Install filter (optional) .....	06
Auto rinsing when switch on the machine.....	06
Install milk carafe.....	06
<b>6 Beverage preparation</b> .....	<b>07</b>
How to prepare beverage.....	07
How to adjust grinding degree.....	08
How to prepare a drink with ground coffee.....	08
How to use My Coffee.....	09
<b>7 Machine Setting</b> .....	<b>10</b>
Cleaning and maintenance.....	10
Milk system cleaning (Total duration is approx. 3 minutes) .....	10
Coffee system cleaning (Total duration is approx. 20 minutes) .....	10
Descaling (Total duration is approx. 30 minutes) .....	11
Install/Change filter.....	12
System setting.....	12
Eco mode.....	12
Factory reset.....	12
Empty water circuit.....	12
Select water hardness.....	13
Language.....	13

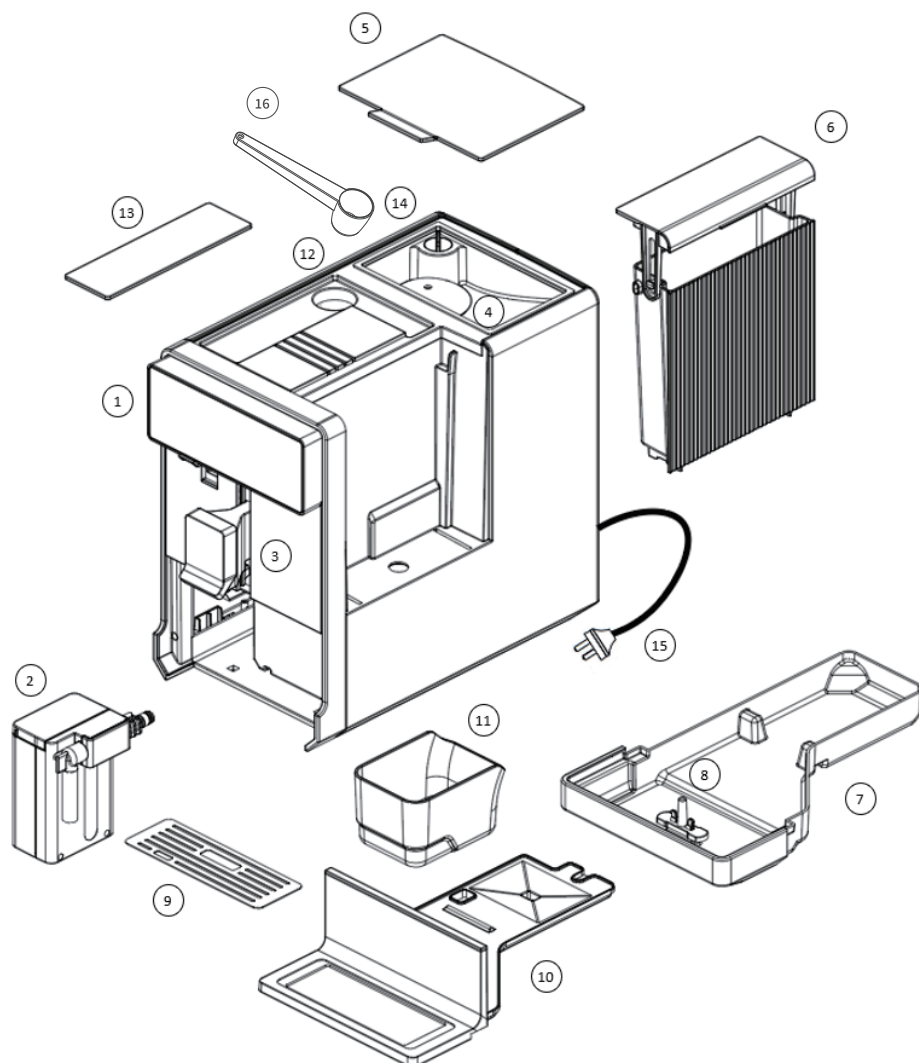
## Content

Keyboard sound.....	13
Beverage setting.....	14
Information.....	15
Beverage data.....	15
Maintenance data.....	15
Software information.....	15
Child lock.....	15
APP connection (optional) .....	15
<b>8 Daily cleaning.....</b>	<b>16</b>
Machine cleaning.....	16
Machine rinsing.....	16
<b>9 Display messages.....</b>	<b>17</b>
<b>10 Troubleshooting.....</b>	<b>18</b>
<b>11 Technical data.....</b>	<b>19</b>
Disposal.....	20
Version updating history.....	20

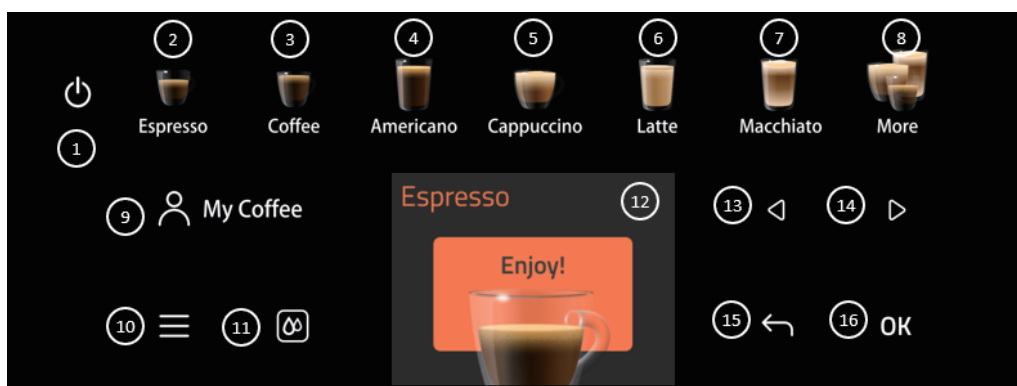
## 1. Welcome to use

Congratulations on the purchase of your A5 fully-automatic coffee machine!  
Read the user manual carefully prior to use A5 for the first time, and keep it well for reference later.

## 2. Machine overview



- |                               |                                   |
|-------------------------------|-----------------------------------|
| 1.Operation panel             | 9.Drip tray grid                  |
| 2.Milk carafe                 | 10.Drip tray cover                |
| 3.Adjustable coffee spout     | 11.Grounds container              |
| 4.Bean hopper                 | 12.Powder chute for ground coffee |
| 5.Bean hopper cover           | 13.Powder chute cover             |
| 6.Water tank                  | 14.Grinding wheel                 |
| 7.Drip tray basement          | 15.Power cord                     |
| 8. 'Drip tray full' indicator | 16.Powder spoon                   |



### Symbol display:

- |                  |               |
|------------------|---------------|
| 1. On/off switch | 9. My Coffee  |
| 2. Espresso      | 10. Setting   |
| 3. Coffee        | 11. Rinsing   |
| 4. Americano     | 12. Display   |
| 5. Cappuccino    | 13. Backwards |
| 6. Latte         | 14. Forwards  |
| 7. Macchiato     | 15. Back      |
| 8. More          | 16. Confirm   |

## 3. Accessories

1. User manual
2. Measuring spoon for ground coffee
3. Filter (optional)
4. Water hardness test paper (optional)
5. Cleaning agent (optional)  
(Brewer cleaning tablet/Descaling cleaning agent/Milk system cleaning agent)

## 4. Safety

### Intended use

A5 is designed to prepare standard household coffee and to use in family or non-commercial sites similar to family environment. Other commercial sites e.g., staff canteen, hotel etc., and other sites with more daily coffee consumption are not recommended to use the machine.

## For your safety

- \*Pass the manual along to the next user if the machine is sold or transferred.
- \*This device cannot be used by persons with reduced physical, sensory, or mental capabilities or lack of experience or knowledge, unless they have been supervised and instructed by responsible person.
- \*Children under 8 should keep away from the machine, power cord, and not permitted to use the machine.
- \*Only filling the water tank with fresh cold water.
- \*Treated with additives or caramelized coffee beans cannot be used.
- \*A5 is intended for preparing coffee and milk-based beverage. Apart from this, other purpose is incorrect and dangerous.
- \*Do not immerse the machine or power cord into water. The power cord and machine cannot be used until they are intact. If error occurs, pull out the mains plug or cut off power supply immediately.
- \*Connection only be performed by the specification of rating plate, see technical data for more information (Page 20).
- \*A5 is not recommended to use outdoors, and needs to put it on the horizontal waterproof surface that can support its weight before use.
- \*Please ensure to put machine far away from the splashing water.
- \*If A5 is damaged (e.g., something burnt) or has something wrong, pull out the mains plug and contact customer service. Maintenance must be performed by professional service technician.
- \*The manufacturer shall not be liable for damage resulting from improper use.
- \*Switch off the machine and pull out the mains plug, if the machine is not used for extended period (e.g., on vacation).
- \*A5 must be used between 5°C-40°C.
- \*Empty water circuit needs to be performed in advance, if A5 will be stored at 0°C.
- \*Do not use damaged filter.
- \*Seal the filter and store in dry place.
- \*Keep filter out of the reach of children.
- \*Cartridge should be placed far away from heat source and avoid direct sunlight.

## Explanation of safety symbols

Observation of these safety instructions is imperative to ensure personal safety and machine in good condition.

Symbols and signal words indicate the level of hazards as follows:



### WARNING

WARNING Indicates a potential danger, if not avoided, will may result in death or moderate injury.



## CAUTION

CAUTION Indicates a hazardous situation which, if not avoided, could result in minor or moderate injury.



## NOTICE

NOTICE Directs your attention to the risk of damage to machinery.

## 5. Preparing and using for the first time

### Unpacking

1. Take out the machine and unveil the protective film, then place it on a horizontal surface which is dry and non-slip.



\*After unpacking, whether the surface of machine is intact and without obvious scratch are both need to be ensured, as well as to ensure spare parts and accessories are complete. If the appearance is damaged seriously and lack of parts, contact customer service.

\*Due to the test will be performed before the machine leave the factory, a little ground coffee appeared in the interior is normal.

2. Remove water tank and rinse, then fill the water tank up to max;
3. Replace the water tank and ensure that is installed vertically;
4. Fill the bean hopper with coffee beans;
5. Plug the mains cable for the coffee machine into an electrical outlet;



\*Heat will be released during beverage preparation, so the machine all round needs to be free up 3cm space at least, and top of it needs to be freed up 15cm space at least.

\*All round of the machine should avoid sharp or high temperature substances in case of damage to power cord.

6. Turn on the power switch, then touch the screen button to start up the machine.



## Language

Access to language selection interface when switch on the machine for the first time. Select corresponding language by touching '◀' '▶', then touch 'OK' to continue.

## Set water hardness

Water hardness testing results or local water quality can be read from the description of water hardness test paper(optional). Access to water hardness selection interface and select corresponding one, then touch 'OK' to continue.



Accuracy of water hardness setting is imperative for machine to prompt when to perform descaling accurately.

## Install filter (optional)

After ensure the installation of filter, then touch 'OK' to continue. Recommended cartridge: **BRITA** AquaAroma Crema Water Filter

## Auto rinsing when switch on the machine

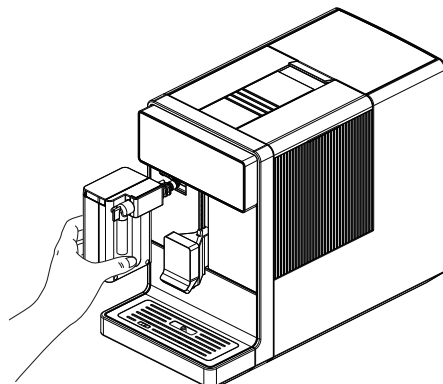
Rinsing program of the device will be performed automatically. After rinsing finished, your coffee machine is ready to use.



In the process of rinsing, hot water will come out from coffee spout to rinse. You can put a appropriate cup beneath the outlet to prevent scalding from splashing hot water.

## Install milk carafe

Please ensure that all parts of milk carafe are assembled correctly before inserting it into the machine.



## 6. Beverage preparation

Before prepare beverage, sufficient water in the water tank, enough coffee beans in the bean hopper and no error messages appear on the display need to be confirmed first.

Place an appropriate cup beneath the coffee spout, and adjust the coffee spout up and down to the suitable height.

If milk-based beverage needs to be prepared, ensure components of milk carafe are installed correctly and filled with enough milk.



\*During beverage preparation, too higher dual spout may result in scalding because of splashing drinks.

\*Hot steam will be sprayed from milk carafe spout when the milk is not enough.



\*During milk preparation, noises made by milk carafe is normal.

\*After milk beverage preparation, remember to rinse milk carafe in time to prevent milk residual or spoiled milk, and put the milk carafe into cooler timely.

### How to prepare beverage

Touch desired beverage on the operation panel.

You can also select beverage from More:

Flat white/Ristretto/Black coffee/travel mug/ Lungo/Double espresso/Double coffees/Hot water /Milk foam.

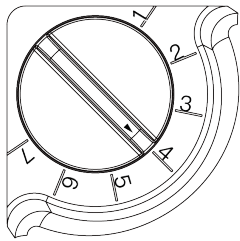
1. Access to the coffee strength selection interface after the selection of desired beverage
2. Use '◀' '▶' to select, and touch 'OK' to confirm
3. Coffee preparation start now, and cup/hot water volume adjustment are available by pressing '◀' '▶', then touch 'OK' to confirm
4. Heating-up message will be displayed when preparing the milk-based beverage, please wait until the completion of heating
5. Milk foam is going to prepare after heating finished, and milk foam volume adjustment is available by pressing '◀' '▶'
6. Ready will be indicated on the display when the preparation is finished. That means beverage is ready to enjoy and available to the next step
7. Cancel current beverage preparation by touching cancel key during the preparation process. The next step cannot be operated until the ready interface is displayed.



Do not reach into bean hopper during the beverage preparation.

### How to adjust grinding degree

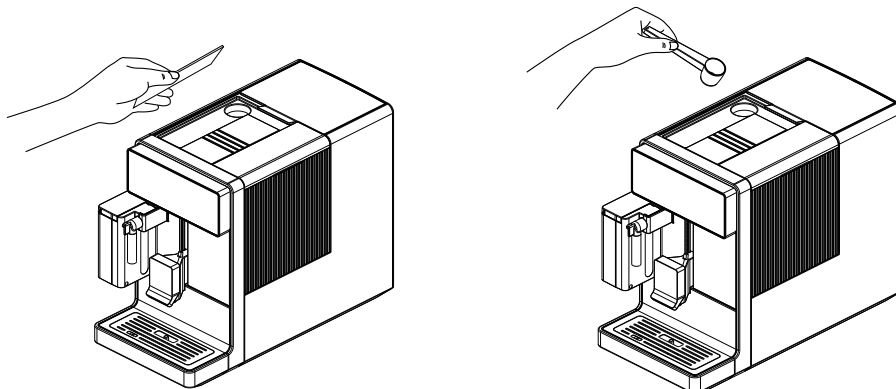
Users can adjust grinding degree themselves by using grinding wheel from the bean hopper inside. Total seven levels can be adjusted according to your taste. Turn clockwise for a coarser grind, and turn counterclockwise for a finer grind.



- \*Grinding degree adjustment is only available when grinding the coffee beans.
- \*New settings are available at the second or third cup of coffee.
- \*Dark roast is suitable for fine grinding, light roast is suitable for coarse grinding.

### How to prepare a drink with ground coffee

1. Select ground coffee preparation in the More, then touch 'OK' to continue
2. Put ground coffee according to the instructions below, then touch 'OK' to continue
3. Select desired beverage that requires ground coffee by touching '◀' '▶', then touch 'OK' to continue
4. Follow-up steps are the same as beverage preparation with coffee beans





Here we suggest to use powder spoon in box (full powder capacity of spoon is 6g ). Since the the recommended range for coffee powder is 5~12g. Too much or too little powder used will lead to alarm or other abnormalities in the machine.

### How to use My Coffee

Touch My Coffee on the operation panel, then access to My Coffee (including 4 empty position that can be edited)

After select certain empty position (take My Coffee 4 for example), Select desired beverage, e.g., Espresso. Adjust the cup volume and coffee strength when preparing coffee. The setting will be stored in My Coffee 4 automatically after the beverage preparation is finished.

When access to My Coffee 4 next time, after select beverage (Espresso) that has been stored before, the beverage preparation will be performed automatically with the recipe that has been stored last time.



Apart from the function of My Coffee, whether any parameter is set during the beverage preparation, the beverage recipe will restore to the menu-beverage setting after the beverage preparation finished.

## 7. Machine Setting

### Cleaning and maintenance

#### Milk system cleaning (Total duration is approx. 3 minutes)

Use specialized milk cleaning agent to clean milk system systematically for removing heavy milk residuals. Amount of water for cleaning around 430ml.

1. Access to the menu by touching set key, and select maintenance interface by using '◀' '▶', then touch 'OK' to confirm
2. Select milk system cleaning, then touch 'OK' to confirm
3. Take out the milk carafe and mixing cleaning agent with water in the milk carafe
4. Connect milk carafe to coffee machine
5. Start to the process of milk system cleaning
6. Take out and clean milk carafe will be displayed in cleaning process, and needs to refill water
7. Reconnect milk carafe to coffee machine for continuing milk system cleaning
8. Until complete is displayed, that means the end of milk system cleaning

#### Coffee system cleaning (Total duration is approx. 20 minutes)

Use tablet to clean brewer systematically for removing coffee residuals from brewer and coffee pipe. Every 300 cups need to perform coffee system cleaning, and the total water consumption around 550ml.

1. Access to the menu by touching set key, and select maintenance interface by using '◀' '▶', then touch 'OK' to confirm
2. Select coffee system cleaning, then touch 'OK' to confirm
3. Empty drip tray and grounds container
4. Touch 'OK' to start cleaning procedure
5. Put cleaning tablet into powder chute for ground coffee
6. Start to the process of coffee system cleaning by touching 'OK'
7. Empty drip tray and grounds container according to the messages
8. Replace the drip tray and grounds container
9. Until complete is displayed, that means the end of coffee system cleaning

### Descaling (Total duration is approx. 30 minutes)

Use descaling cleaning agent to descale the components of water circuit from machine inside, and the total water consumption around 900ml.

1. Access to the menu by touching set key, and select maintenance interface by using '◀' '▶', then touch 'OK' to confirm
2. Select descaling and touch 'OK' to confirm
3. Please remove filter first if installed, if not, touch 'OK' directly to continue
4. Empty drip tray and grounds container
5. Take out water tank first, after the descaling cleaning agent dissolves in the water tank, replace the water tank
6. Perform descaling procedure
7. Empty drip tray and grounds container
8. Take out and clean water tank, then refill the water tank to max and replace the water tank
9. Continue to perform descaling procedure
10. Empty drip tray and grounds container
11. Please remove cartridge first if installed, if not, touch 'OK' directly to continue
12. Start cartridge cleaning procedure if the cartridge has been installed
13. Until complete is displayed, that means the end of descaling



\*Read the user manual and usage of descaling cleaning agent carefully prior to descale.  
\*During descaling, be careful and avoid to touch acid hot water dispensing from coffee spout.



\*Descaling for the machine at regular intervals to avoid water residuals accumulation, which will lead to the increase of energy consumption.  
\*Do not use vinegar, citric acid, acetic acid or scale remover.

### Install/Change filter

Access to the menu by touching set key, and select maintenance interface by using ‘◀’ ‘▶’, then touch ‘OK’ to confirm Yes or no are available after access to the filter interface.

If select yes, please install filter. Touch ‘OK’ to start the filter rinsing when it has been installed. filter setting completed will be displayed after the end of rinsing.



- \*The device will not detect whether install filter or not automatically, which need users to confirm themselves and activate the function to use.
- \*Even though without message displayed for replacing the filter, user also should to change the cartridge every 3 months.

### System setting

Access to the setting option and select function setting by using ‘◀’ ‘▶’, then options for the function setting can be set.

#### Auto switch off

Time setting for automatic switch-off: 15 minutes, 30 minutes, 1 hour, 2 hours, 3 hours, 4 hours, 5 hours, 6 hours, 7 hours, 8 hours and circulation switch by using ‘◀’ ‘▶’.

#### Eco mode

Select activate or inactive Eco mode by using ‘◀’ ‘▶’. the machine will not keep warm when the rinsing is completed and the device is ready to use. Before the preparation of any beverage, machine will preheat first when detect the temperature is not enough. After preheat completed, beverage preparation will be continued.

#### Factory reset

Touch ‘OK’ to restore factory setting

Beverage preparation cups, maintenance information and data are not changed and not influenced by factory reset.

When user switches on the machine again, just repeat the action for the first-time use. (Language>Water hardness> Install filter cartridge)

#### Empty water circuit

Touch ‘OK’ to start empty water circuit

Take out water tank depends on the messages displayed on the screen, and the machine will empty water circuit automatically later until the machine is switched off

### Select water hardness

Use the test strip(optional) to test water hardness, you will then be able to adjust the water hardness of machine according to the testing results.

You can set your water hardness setting by the chart below, based on your water source condition.

Machine setting	Water hardness
1	1~7dH
2	8~15dH
3	16~23dH
4	24~30dH

The minimum level can be turned to 1 by touching '◀', and the maximum level can be turned to 4 by touching '▶'. Touch Back will go to last interface, and touch 'OK' will complete the setting.



\*We recommend you adjust the water hardness to your local water hardness condition, in order to keep the machine in optimum performance and extend the life span, meanwhile, getting rid of troubles resulting from descaling frequently.  
\*Default water hardness setting is the maximum level of water hardness.

### Language

Select language by touching '◀' '▶'

### Keyboard sound

Turn on/off the keyboard sound by touching '◀' '▶'

After keyboard sound activated, buzzer call will be performed by touching functional button when the machine is switched on.

After keyboard sound inactivated, buzzer call will not be performed by touching button any time.



## Beverage setting

Access to the setting interface and select beverage setting by touching ‘◀’ ‘▶’, then options for the beverage setting can be set.

Beverage	Preset recipe	Preset temperature	Preset strength	Adjustment range
Espresso	Coffee: 45ml	Medium	3	Coffee volume range 15~200mL Hot water volume range 15~240mL Milk foam duration 5-50s Waiting time range 1~30s
Coffee	Coffee: 120ml	Medium	3	
Americano	Coffee: 45ml; Hot water:135ml	Medium	3	
Latte	Coffee: 45ml; Milk foam: about 135ml	High	3	
Cappuccino	Milk foam:120ml; Coffee: 45ml	High	3	
Macchiato	Milk foam: about 160ml; waiting for 15S; Coffee: 45ml	High	3	
Hot water	200ml	High	-	
Milk foam	About 200ml	High	-	
Flat white	Coffee: 40ml; Milk foam: about 90ml	High	3	
Lungo	Coffee: 60ml	Medium	3	
Ristretto	Coffee: 20ml	Medium	3	
Black coffee	Hot water:135ml; Coffee: 45ml	Medium	3	
Travel mug	2*120ml	Medium	4	
2× Espresso	Coffee: 60ml (one extraction)	Medium	4	
2× Coffee	Coffee: 200ml (one extraction)	Medium	4	

### **Information**

Access to the setting interface and select information by touching '◀' '▶', then options for information setting can be viewed

### **Beverage data**

All single beverage preparation cups can be displayed by touching '◀' '▶'

### **Maintenance data**

Milk system cleaning times/Coffee system cleaning times/Descaling times/cartridge rinsing times can be displayed by touching '◀' '▶'

### **Software information**

Current software version will be displayed

### **Child lock**

Touch '◀' '▶' simultaneously in the ready interface, which will activate child lock function. Touch '◀' '▶' simultaneously again will turn off child lock function.

When activate child lock function, only switch on/ off button can be used. Moreover, cleaning will not be performed when switch on/off the machine, in order to prevent scalding children. Normal function of on/off button will be restored when the child lock is released.

### **APP connection (optional)**

## 8. Daily cleaning

### Machine cleaning

For better use of coffee machine and beverage preparation, following components if used need to be cleaned manually on the day:

- \*Grounds container
- \*Drip tray
- \*Drip tray grid
- \*Water tank
- \*Coffee spout
- \*Milk carafe assembly
- \*Operation panel



\*Before cleaning, ensure that mains plug has been pulled out and do not immerse the device into the water.



\*Except for other parts, dishwasher cleaning for milk carafe is available.  
\*Do not use corrosive and chemical solvent cleaning agent or alcohol to clean the machine.

### Machine rinsing

Touch rinsing button to rinse coffee spout when the milk carafe is not inserted. Milk system rinsing will be performed when the milk carafe has been inserted and milk-based beverage has been prepared (milk in the milk carafe will not be influenced).

Meanwhile, machine will automatically perform the auto-rinsing after you prepared the beverage.



\*Hot water or steam will be sprayed from nozzle and coffee spout during rinsing, we recommended that put a cup or other container beneath the coffee spout to prevent scalding.

## 9. Display messages

Display content	Resolution
Fill in water tank	Fill water tank with enough water and replace the water tank
Fill in beans	Fill bean hopper with enough coffee beans
Empty grounds container	Empty coffee grounds from grounds container
Install grounds container and drip tray	Place drip tray and grounds container back
Install milk carafe	Place milk carafe back and continue to prepare milk beverage
Empty drip tray	<Only display in the process of descaling> Empty waste water from drip tray
Empty grounds container and drip tray	<Only display in the process of coffee system cleaning> Empty waste water from drip tray, empty coffee grounds from grounds container
Milk carafe rinsing	Touch "Rinsing" to rinse milk carafe
Brewer rinsing	Touch "Rinsing" to rinse brewer Machine rinsing automatically after switch on the machine
Coffee system cleaning	Touch "OK" to clean coffee system
Need descaling notice	Touch "OK" to descale machine
Filter needs to be changed	Touch "OK" to change the filter
Coffee system cleaning notice	Touch "OK" to clean coffee system
Milk system cleaning notice	Touch "OK" to clean milk system

## 10. Troubleshooting

This chapter has summarized all errors of coffee machine, common malfunctions and solutions. If the problem cannot be solved, please contact customer service in your country or region.

Problem	Reason	Resolution
Milk sprays out of the milk carafe when making milk foam	Milk is running out	Fill milk carafe with milk
	Milk system is clogged	Perform milk system cleaning
	Milk carafe not install correctly	Reinstall milk carafe
Low coffee temperature	Low temperature setting	Increase the temperature in the beverage setting
	Clogging inside the machine due to limescale	Perform descaling procedure
Drip tray and grounds container cannot put back in machine	Brewer inside blocks the insertion of drip tray and grounds container.	Firstly put drip tray alone back to machine. Wait until machine shows "Please select beverage" Then take out drip tray and put drip tray and grounds container together into machine.
Coffee not dispensing or coffee flows slowly	Grinding level is adjusted too high	Decrease the grinding level
	Clogging inside the coffee system	Perform coffee system cleaning
	Coffee spout clogging	Clean coffee spout
	Clogging inside the machine due to limescale	Perform descaling procedure
"System empty" is displayed	No water flows in machine	Press "OK" again, machine will pump water automatically.
"insufficient coffee powder" is displayed	Happened during making ground coffee: Machine detect lower 5g coffee powder	Touch "OK" and need add more powder in next cup

"Brewer error" is displayed	Happened during making ground coffee: Machine detect higher 12g coffee powder	Touch "OK" and need add lower powder in next cup
	Internal components of the machine error	Touch "OK" can switch off the machine directly. If error occurs again after restart, please contact service center.
"NTC error" is displayed	Internal components of the machine error	Touch "OK" can switch off the machine directly. If error occurs again after restart, please contact service center.
"Multi-way valve error" is displayed		
"Thermoblock error" is displayed		
"Pump or flowmeter error" is displayed		
"Grinding error" is displayed		
"High temp in thermoblock" or "Low temp in thermoblock" is displayed		

## 11. Technical data

Product name	Fully automatic coffee machine
Model	A5
Recommended daily capacity	10 cups
Bean hopper	200g
Water tank	1.3L
Milk carafe	300ml
Drip tray	300ml
Grounds container	10 portions
Height-adjustable for coffee spout	68-138mm
Water pump pressure	19 bar
Power supply	220-240V 50/60Hz
Power rating	1400w
Dimensions (W x H x D)	215 x 340 x 455mm
Net weight	9.6kg
Beverages that can be prepared	Espresso/Coffee/Americano/Cappuccino/Latte /Macchiato/Flat white/Hot water/Travel mug/Lungo/Ristretto/Black Coffee/2 x espresso /Milk foam/2 x Coffee

## Disposal



The device may not be disposed of as domestic waste. It needs to transfer to specialized garbage classification center.